

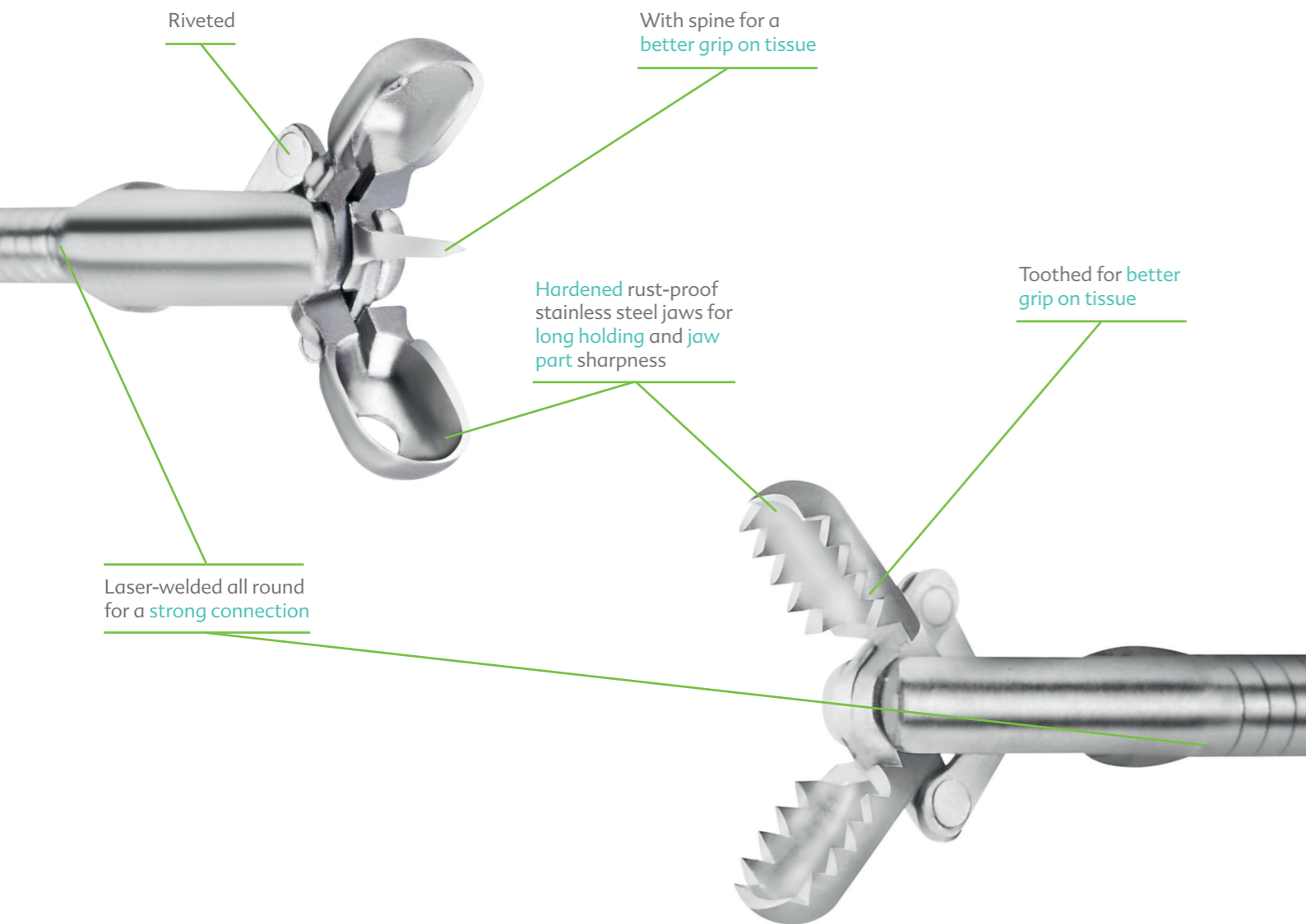


Sharply combined

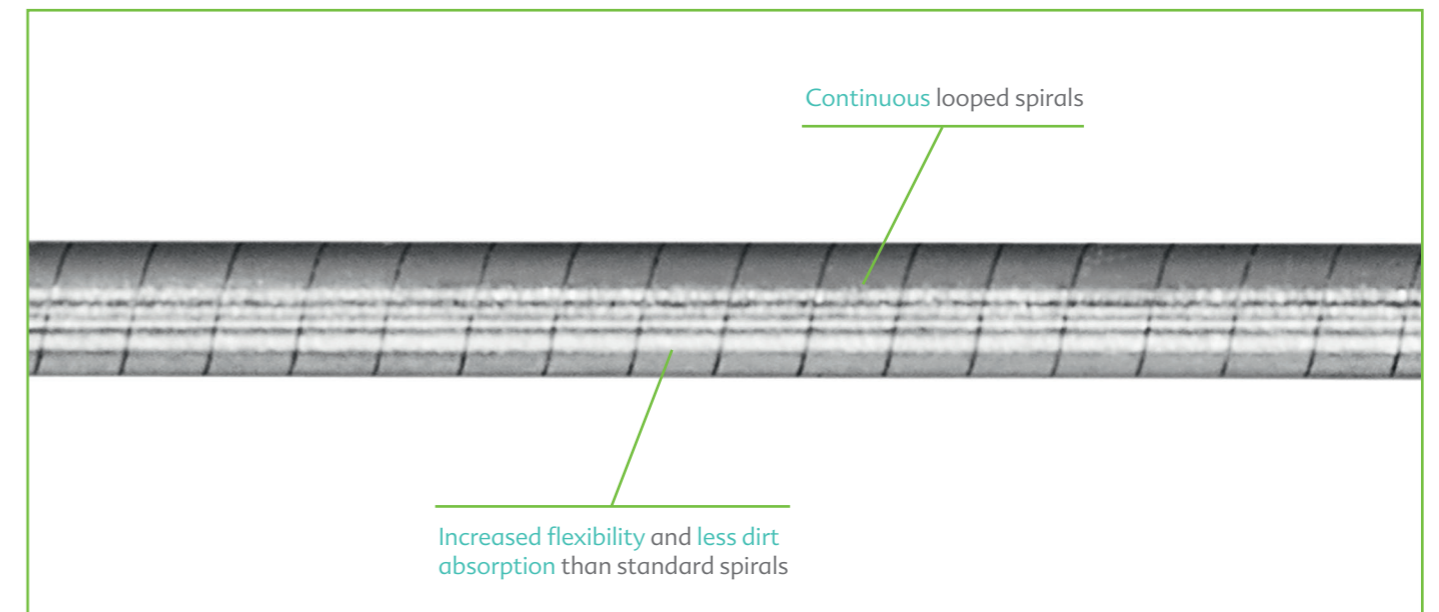
Reusable biopsy forceps

MASLANKA Reusable biopsy forceps

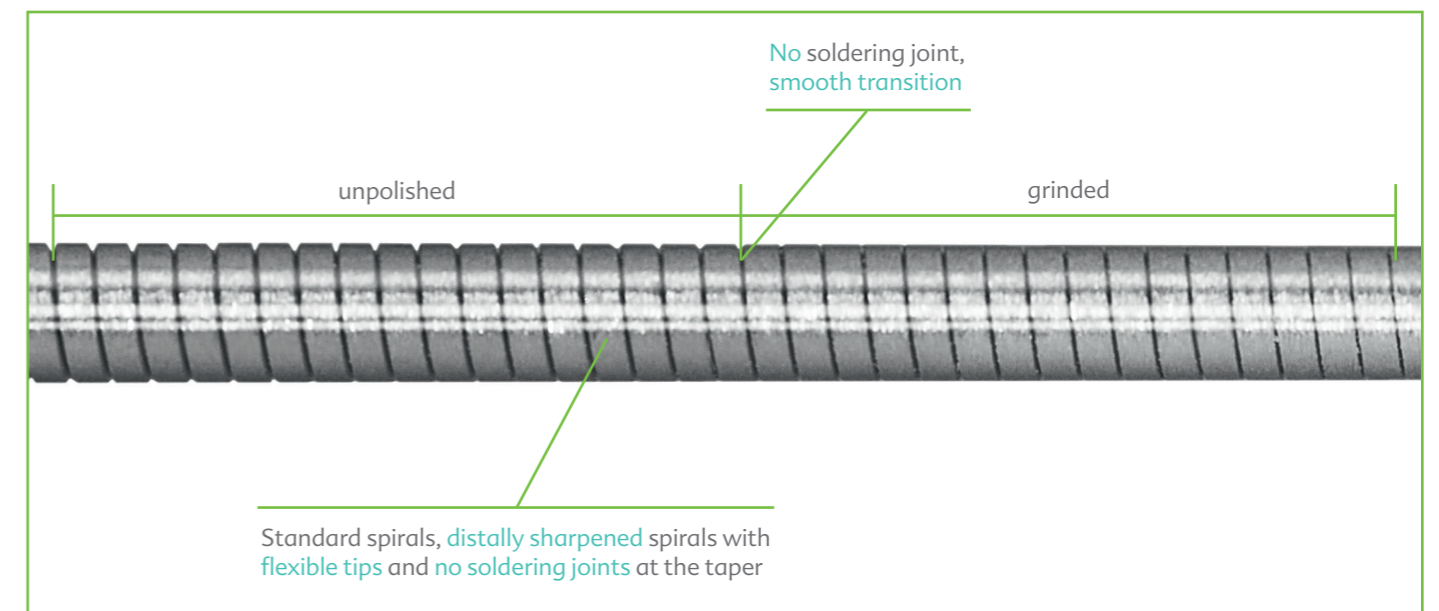
Take advantage of our wide range of forceps



Spring completely looped

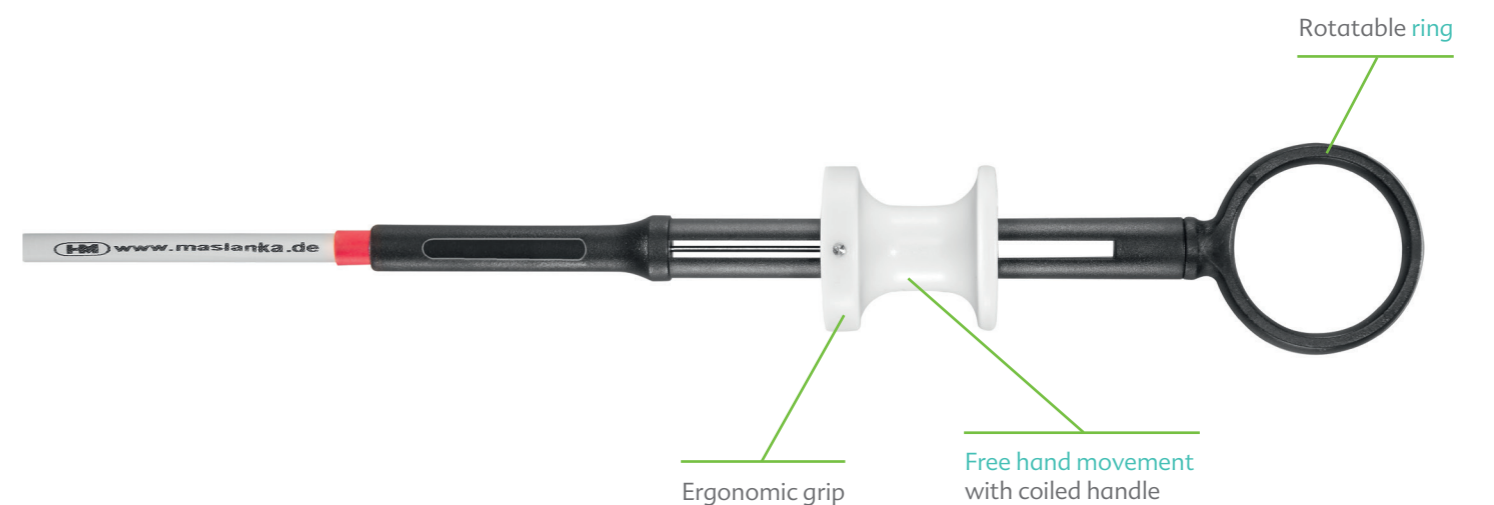


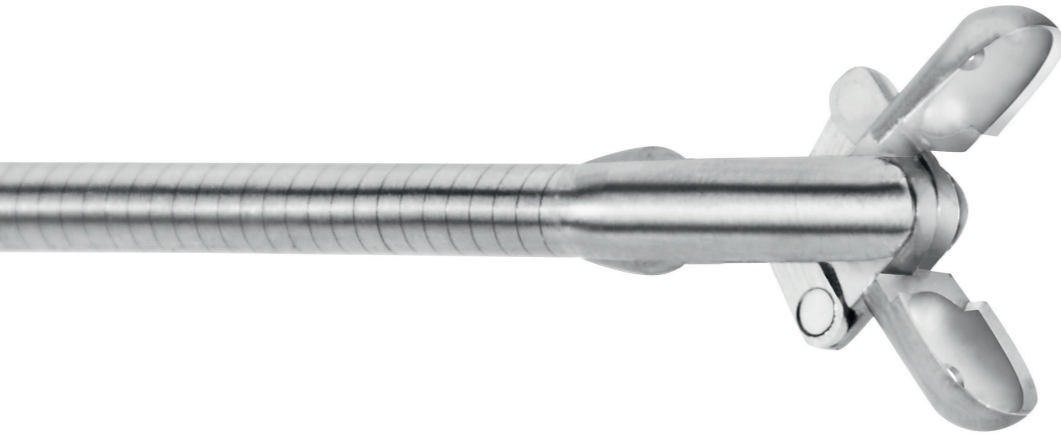
Distally sharpened spring (V)



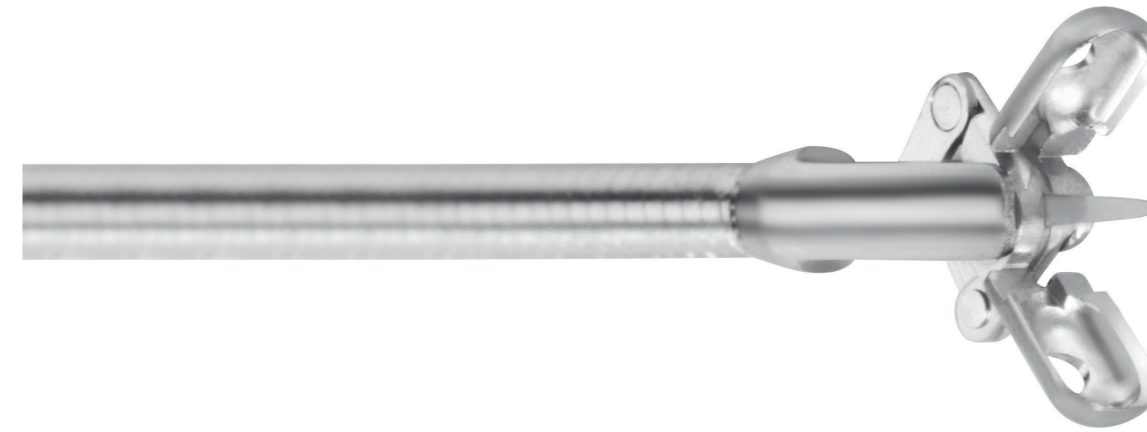
Sharply combined.

Our reusable biopsy forceps offer maximum user convenience. The hardened and sharp jaws ensure that the user is able to make cuts in a precise manner. **Take advantage of the many designs of our forceps.**





Oval



Oval

134°C
Autoclave
273°F
Reusable

biopsy forceps with oval, windowed, long jaws

Item number	Ø Instrument	Working channel	Opening width	Volume	Jaw length	Working length	PU
K1618V-120	Ø 1,8 mm	Ø 2,0 mm	- 6 mm	- 3,5 mm ³	-3,0 mm	120 cm	1 piece
K1618V-160	Ø 1,8 mm	Ø 2,0 mm	- 6 mm	- 3,5 mm ³	-3,0 mm	160 cm	1 piece
K1618V-180	Ø 1,8 mm	Ø 2,0 mm	- 6 mm	- 3,5 mm ³	-3,0 mm	180 cm	1 piece
K1618V-230	Ø 1,8 mm	Ø 2,0 mm	- 6 mm	- 3,5 mm ³	-3,0 mm	230 cm	1 piece
K1618V-280	Ø 1,8 mm	Ø 2,0 mm	- 6 mm	- 3,5 mm ³	-3,0 mm	280 cm	1 piece
K0221V-120	Ø 2,1 mm	Ø 2,4 mm	- 6 mm	- 5,2 mm ³	-3,2 mm	120 cm	1 piece
K0221V-160	Ø 2,1 mm	Ø 2,4 mm	- 6 mm	- 5,2 mm ³	-3,2 mm	160 cm	1 piece
K0221V-180	Ø 2,1 mm	Ø 2,4 mm	- 6 mm	- 5,2 mm ³	-3,2 mm	180 cm	1 piece
K0221V-230	Ø 2,1 mm	Ø 2,4 mm	- 6 mm	- 5,2 mm ³	-3,2 mm	230 cm	1 piece
K0222V-160	Ø 2,3 mm	Ø 2,8 mm	- 7 mm	- 7,3 mm ³	-3,7 mm	160 cm	1 piece
K0222V-180	Ø 2,3 mm	Ø 2,8 mm	- 7 mm	- 7,3 mm ³	-3,7 mm	180 cm	1 piece
K0222V-230	Ø 2,3 mm	Ø 2,8 mm	- 7 mm	- 7,3 mm ³	-3,7 mm	230 cm	1 piece
K0222V-280	Ø 2,3 mm	Ø 2,8 mm	- 7 mm	- 7,3 mm ³	-3,7 mm	280 cm	1 piece

All items **with a V** in the item number are distally sharpened.

134°C
Autoclave
273°F

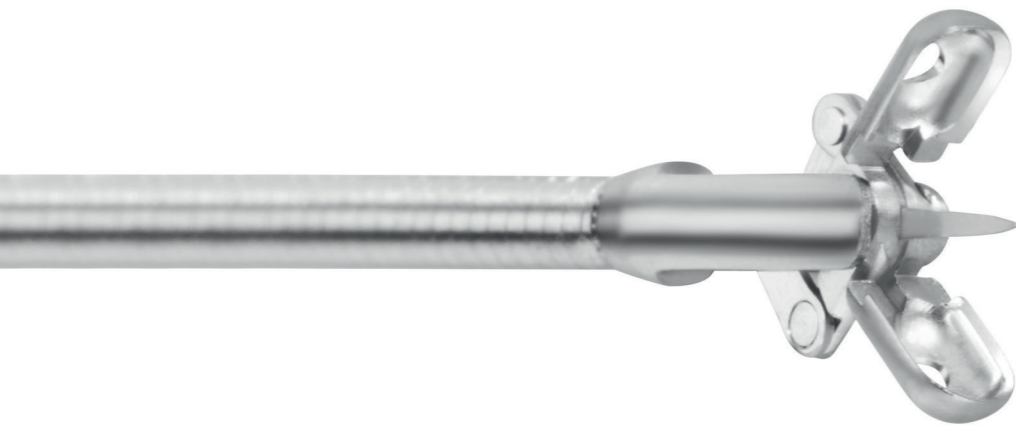
Reusable

biopsy forceps with oval, windowed, long jaws and spine

Item number	Ø Instrument	Working channel	Opening width	Volume	Jaw length	Working length	PU
K1618VD-120	Ø 1,8 mm	Ø 2,0 mm	- 6 mm	- 3,5 mm ³	-3,0 mm	120 cm	1 piece
K1618VD-160	Ø 1,8 mm	Ø 2,0 mm	- 6 mm	- 3,5 mm ³	-3,0 mm	160 cm	1 piece
K1618VD-180	Ø 1,8 mm	Ø 2,0 mm	- 6 mm	- 3,5 mm ³	-3,0 mm	180 cm	1 piece
K1618VD-230	Ø 1,8 mm	Ø 2,0 mm	- 6 mm	- 3,5 mm ³	-3,0 mm	230 cm	1 piece
K1618VD-280	Ø 1,8 mm	Ø 2,0 mm	- 6 mm	- 3,5 mm ³	-3,0 mm	280 cm	1 piece
K0221VD-120	Ø 2,1 mm	Ø 2,4 mm	- 6 mm	- 5,2 mm ³	-3,2 mm	120 cm	1 piece
K0221VD-160	Ø 2,1 mm	Ø 2,4 mm	- 6 mm	- 5,2 mm ³	-3,2 mm	160 cm	1 piece
K0221VD-180	Ø 2,1 mm	Ø 2,4 mm	- 6 mm	- 5,2 mm ³	-3,2 mm	180 cm	1 piece
K0221VD-230	Ø 2,1 mm	Ø 2,4 mm	- 6 mm	- 5,2 mm ³	-3,2 mm	230 cm	1 piece
K0222VD-120	Ø 2,3 mm	Ø 2,8 mm	- 7 mm	- 7,3 mm ³	-3,7 mm	120 cm	1 piece
K0222VD-160	Ø 2,3 mm	Ø 2,8 mm	- 7 mm	- 7,3 mm ³	-3,7 mm	160 cm	1 piece
K0222VD-180	Ø 2,3 mm	Ø 2,8 mm	- 7 mm	- 7,3 mm ³	-3,7 mm	180 cm	1 piece
K0222VD-230	Ø 2,3 mm	Ø 2,8 mm	- 7 mm	- 7,3 mm ³	-3,7 mm	230 cm	1 piece
K0222VD-280	Ø 2,3 mm	Ø 2,8 mm	- 7 mm	- 7,3 mm ³	-3,7 mm	280 cm	1 piece

All items **with a V** in the item number are distally sharpened.

All items **with a D** in the item number have a spine.



Large oval



134°C Autoclave 273°F Reusable

biopsy forceps with oval, windowed, large jaws, with or without spine depending on preference

Item number	Ø Instrument	Working channel	Opening width	Volume	Jaw length	Working length	PU
K0225VD-160	Ø 2,5 mm	Ø 2,8 mm	- 7 mm	- 9,0 mm ³	- 3,7 mm	160 cm	1 piece
K0225VD-180	Ø 2,5 mm	Ø 2,8 mm	- 7 mm	- 9,0 mm ³	- 3,7 mm	180 cm	1 piece
K0225VD-230	Ø 2,5 mm	Ø 2,8 mm	- 7 mm	- 9,0 mm ³	- 3,7 mm	230 cm	1 piece
K0225V-160	Ø 2,5 mm	Ø 2,8 mm	- 7 mm	- 9,0 mm ³	- 3,7 mm	160 cm	1 piece
K0225V-180	Ø 2,5 mm	Ø 2,8 mm	- 7 mm	- 9,0 mm ³	- 3,7 mm	180 cm	1 piece
K0225V-230	Ø 2,5 mm	Ø 2,8 mm	- 7 mm	- 9,0 mm ³	- 3,7 mm	230 cm	1 piece

All items **with a V** in the item number are distally sharpened.
All items **with a D** in the item number have a spine.



Short oval

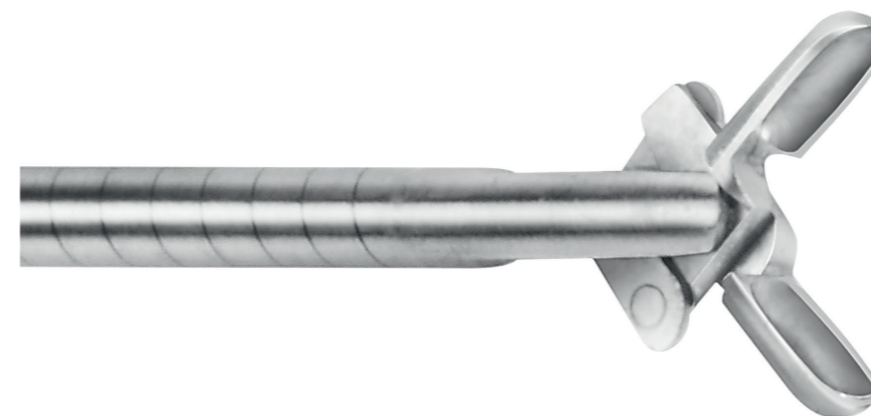
134°C Autoclave 273°F

Reusable

biopsy forceps with windowed, short jaws

Item number	Ø Instrument	Working channel	Opening width	Volume	Jaw length	Working length	PU
K1718V-120	Ø 1,8 mm	Ø 2,0 mm	- 4,7 mm	- 3,0 mm ³	- 3,0 mm	120 cm	1 piece
K1718V-160	Ø 1,8 mm	Ø 2,0 mm	- 4,7 mm	- 3,0 mm ³	- 3,0 mm	160 cm	1 piece
K1718V-180	Ø 1,8 mm	Ø 2,0 mm	- 4,7 mm	- 3,0 mm ³	- 3,0 mm	180 cm	1 piece
K1718V-230	Ø 1,8 mm	Ø 2,0 mm	- 4,7 mm	- 3,0 mm ³	- 3,0 mm	230 cm	1 piece
K1718V-300	Ø 1,8 mm	Ø 2,0 mm	- 4,7 mm	- 3,0 mm ³	- 3,0 mm	300 cm	1 piece

All items **with a V** in the item number are distally sharpened.



Mini oval

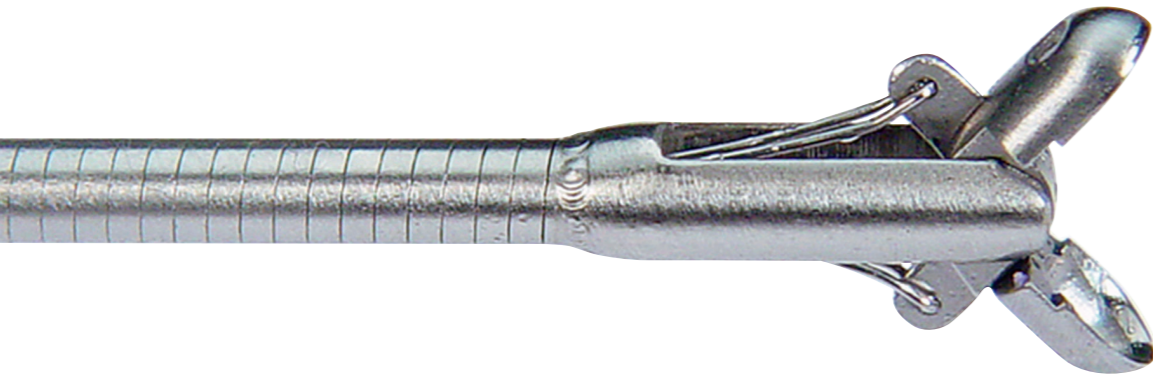
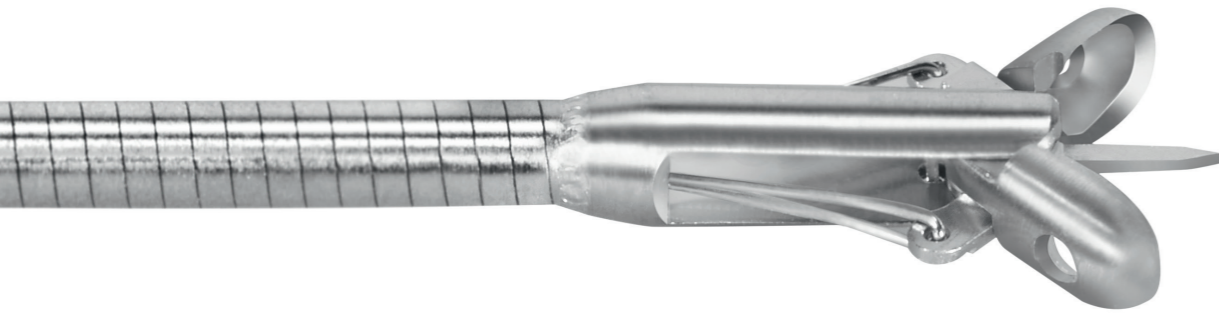
134°C Autoclave 273°F

Reusable

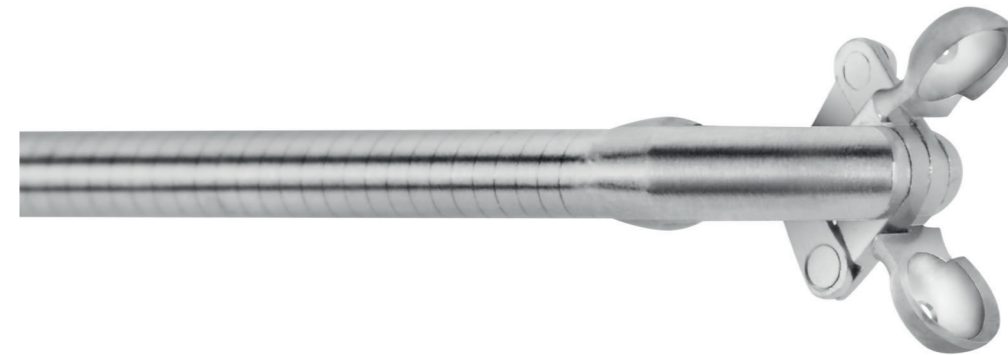
biopsy forceps with oval, non-windowed, small jaws

Item number	Ø Instrument	Working channel	Opening width	Volume	Jaw length	Working length	PU
KG0208-230	Ø 0,8 mm	Ø 1,0 mm	- 1,8 mm	- 0,3 mm ³	- 1,6 mm	230 cm	1 piece
KG0210-120	Ø 1,0 mm	Ø 1,2 mm	- 2,3 mm	- 0,6 mm ³	- 2,0 mm	120 cm	1 piece
KG0210-230	Ø 1,0 mm	Ø 1,2 mm	- 2,3 mm	- 0,6 mm ³	- 2,0 mm	230 cm	1 piece

This forceps has a completely **looped spring**.



Without joints



Round



Reusable biopsy forceps without joints

windowed, with or without spine depending on preference

More cost-effective. Cannot be repaired.

Item number	Ø Instrument	Working channel	Opening width	Volume	Jaw length	Working length	PU
BK0222VD-160	Ø 2,3 mm	Ø 2,8 mm	- 6 mm	- 5,6 mm ³	-3,0 mm	160 cm	1 piece
BK0222VD-180	Ø 2,3 mm	Ø 2,8 mm	- 6 mm	- 5,6 mm ³	-3,0 mm	180 cm	1 piece
BK0222VD-230	Ø 2,3 mm	Ø 2,8 mm	- 6 mm	- 5,6 mm ³	-3,0 mm	230 cm	1 piece
BK0222V-160	Ø 2,3 mm	Ø 2,8 mm	- 6 mm	- 5,6 mm ³	-3,0 mm	160 cm	1 piece
BK0222V-180	Ø 2,3 mm	Ø 2,8 mm	- 6 mm	- 5,6 mm ³	-3,0 mm	180 cm	1 piece
BK0222V-230	Ø 2,3 mm	Ø 2,8 mm	- 6 mm	- 5,6 mm ³	-3,0 mm	230 cm	1 piece

All items **with a V** in the item number are distally sharpened.
All items **with a D** in the item number have a spine.

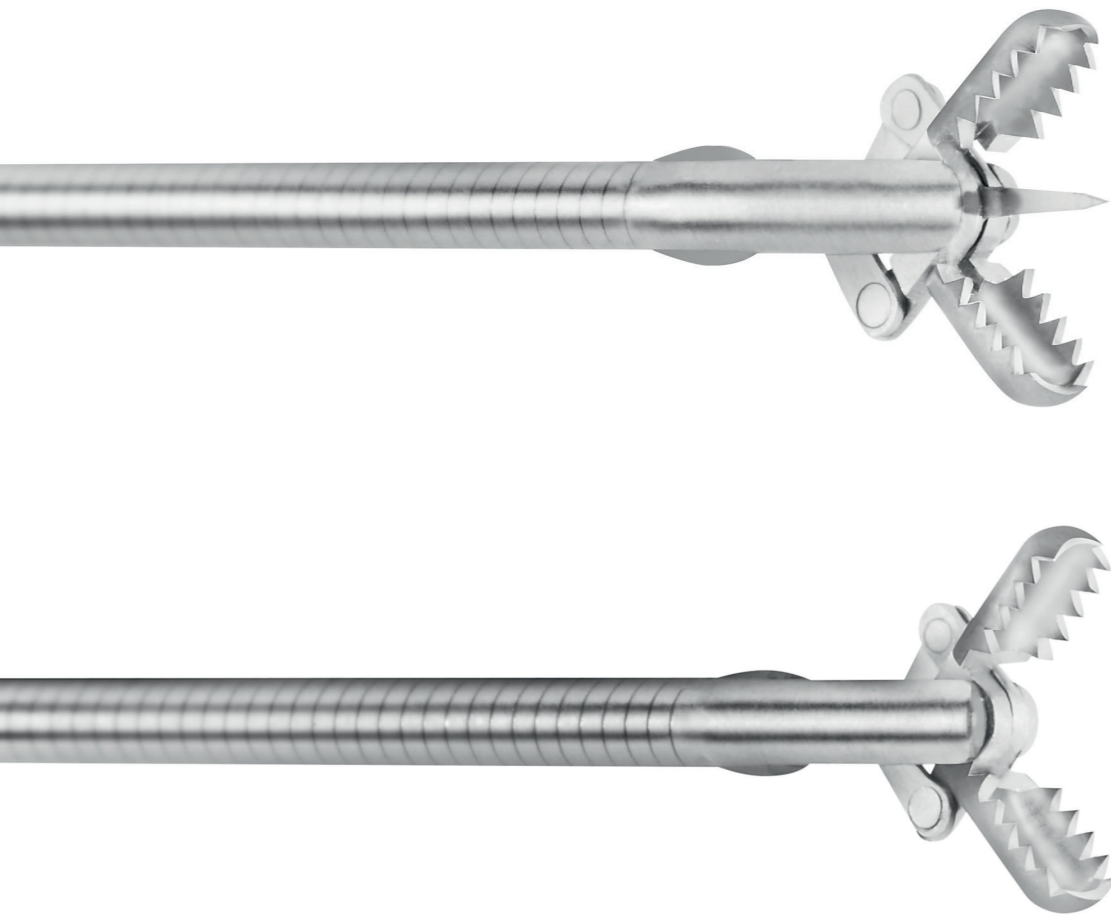


Reusable biopsy forceps

with round, windowed jaws, with or without spine depending on preference

Item number	Ø Instrument	Working channel	Opening width	Volume	Jaw length	Working length	PU
K0122V-160	Ø 2,4 mm	Ø 2,8 mm	- 6 mm	- 5,4 mm ³	-3,0 mm	160 cm	1 piece
K0122V-180	Ø 2,4 mm	Ø 2,8 mm	- 6 mm	- 5,4 mm ³	-3,0 mm	180 cm	1 piece
K0122V-230	Ø 2,4 mm	Ø 2,8 mm	- 6 mm	- 5,4 mm ³	-3,0 mm	230 cm	1 piece
K0122VD-160	Ø 2,4 mm	Ø 2,8 mm	- 6 mm	- 5,3 mm ³	-3,0 mm	160 cm	1 piece
K0122VD-180	Ø 2,4 mm	Ø 2,8 mm	- 6 mm	- 5,3 mm ³	-3,0 mm	180 cm	1 piece
K0122VD-230	Ø 2,4 mm	Ø 2,8 mm	- 6 mm	- 5,3 mm ³	-3,0 mm	230 cm	1 piece
K0130V-230	Ø 3,0 mm	Ø 3,4 mm	- 7 mm	- 15,0 mm ³	-4,0 mm	230 cm	1 piece
K0130VD-230	Ø 3,0 mm	Ø 3,4 mm	- 7 mm	- 15,0 mm ³	-4,0 mm	230 cm	1 piece
K0134V-160	Ø 3,4 mm	Ø 3,8 mm	- 8 mm	- 17,7 mm ³	-4,4 mm	160 cm	1 piece
K0134V-230	Ø 3,4 mm	Ø 3,8 mm	- 8 mm	- 17,7 mm ³	-4,4 mm	230 cm	1 piece
K0134VD-160	Ø 3,4 mm	Ø 3,8 mm	- 8 mm	- 17,7 mm ³	-4,4 mm	160 cm	1 piece
K0134VD-230	Ø 3,4 mm	Ø 3,8 mm	- 8 mm	- 17,7 mm ³	-4,4 mm	230 cm	1 piece

All items **with a V** in the item number are distally sharpened.
All items **with a D** in the item number have a spine.

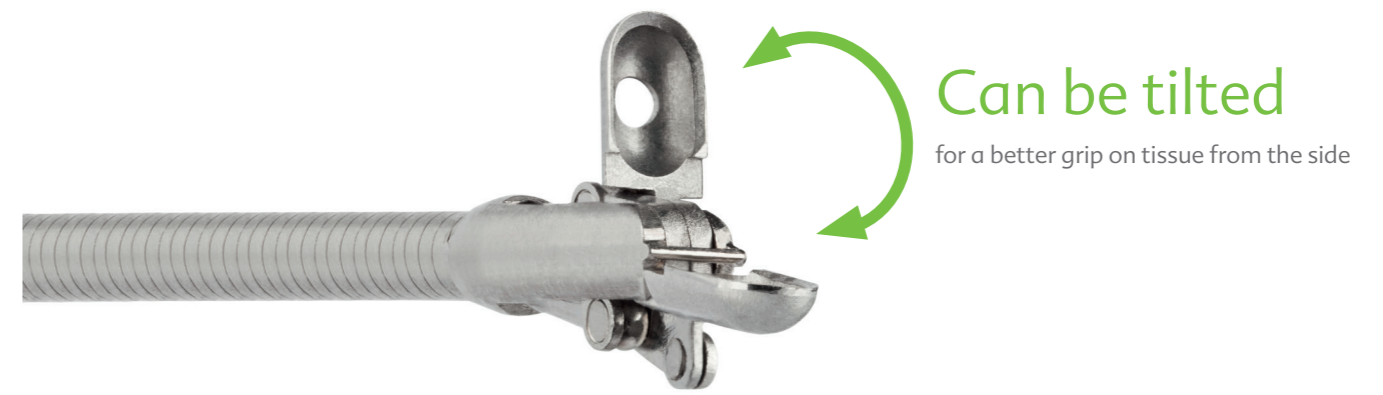


Oval

Reusable biopsy forceps with oval, non-windowed, toothed jaws, with or without spine depending on preference

Item number	Ø Instrument	Working channel	Opening width	Volume	Jaw length	Working length	PU
K0418V-120	Ø 1,8 mm	Ø 2,0 mm	- 6 mm	- 3,0 mm ³	- 3,0 mm	120 cm	1 piece
K0418V-160	Ø 1,8 mm	Ø 2,0 mm	- 6 mm	- 3,0 mm ³	- 3,0 mm	160 cm	1 piece
K0422V-120	Ø 2,3 mm	Ø 2,8 mm	- 7 mm	- 6,6 mm ³	- 3,7 mm	120 cm	1 piece
K0422V-160	Ø 2,3 mm	Ø 2,8 mm	- 7 mm	- 6,6 mm ³	- 3,7 mm	160 cm	1 piece
K0422V-180	Ø 2,3 mm	Ø 2,8 mm	- 7 mm	- 6,6 mm ³	- 3,7 mm	180 cm	1 piece
K0422V-230	Ø 2,3 mm	Ø 2,8 mm	- 7 mm	- 6,6 mm ³	- 3,7 mm	230 cm	1 piece
K0422VD-120	Ø 2,3 mm	Ø 2,8 mm	- 7 mm	- 6,6 mm ³	- 3,7 mm	120 cm	1 piece
K0422VD-160	Ø 2,3 mm	Ø 2,8 mm	- 7 mm	- 6,6 mm ³	- 3,7 mm	160 cm	1 piece
K0422VD-180	Ø 2,3 mm	Ø 2,8 mm	- 7 mm	- 6,6 mm ³	- 3,7 mm	180 cm	1 piece
K0422VD-230	Ø 2,3 mm	Ø 2,8 mm	- 7 mm	- 6,6 mm ³	- 3,7 mm	230 cm	1 piece

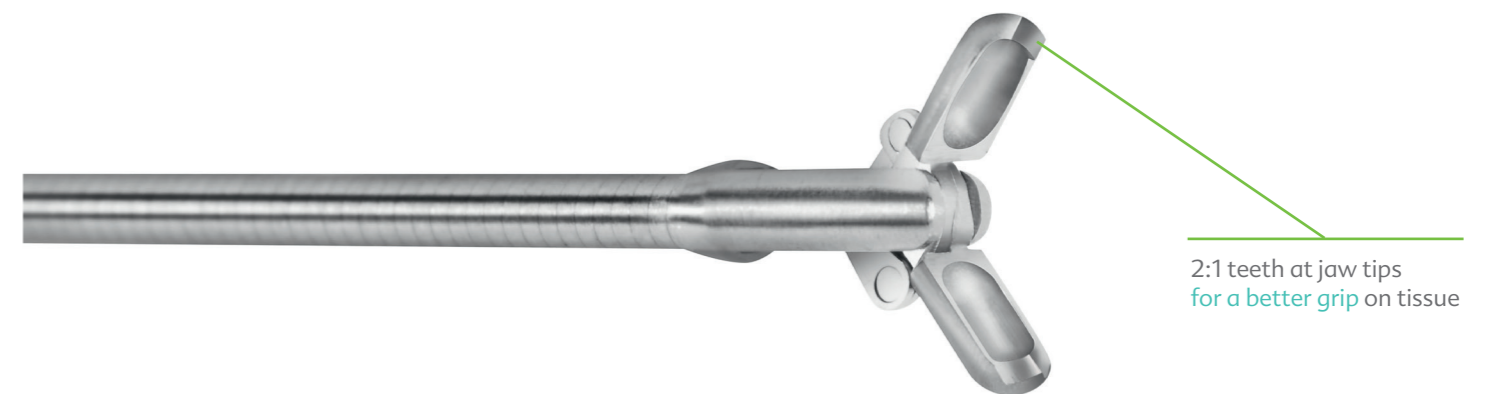
All items **with a V** in the item number are distally sharpened.
All items **with a D** in the item number have a spine.



Reusable biopsy forceps with oval, windowed, tilting jaws

Item number	Ø Instrument	Working channel	Opening width	Volume	Jaw length	Working length	PU
K0222V-AK	Ø 2,3 mm	Ø 2,8 mm	- 7 mm	- 7,3 mm ³	- 3,7 mm	120 cm	1 piece
K0222V-GK	Ø 2,3 mm	Ø 2,8 mm	- 7 mm	- 7,3 mm ³	- 3,7 mm	230 cm	1 piece

All items **with a V** in the item number are distally sharpened.



Reusable biopsy forceps with 2:1 teeth

Item number	Ø Instrument	Working channel	Opening width	Volume	Jaw length	Working length	PU
K0718V-120	Ø 1,8 mm	Ø 2,0 mm	- 4 mm	- 4,00 mm ³	2,6 mm	120 cm	1 piece
K0718V-160	Ø 1,8 mm	Ø 2,0 mm	- 4 mm	- 4,00 mm ³	2,6 mm	160 cm	1 piece
K0722V-160	Ø 2,3 mm	Ø 2,8 mm	- 6 mm	- 6,82 mm ³	3,7 mm	160 cm	1 piece
K0722V-230	Ø 2,3 mm	Ø 2,8 mm	- 6 mm	- 6,82 mm ³	3,7 mm	230 cm	1 piece

All items **with a V** in the item number are distally sharpened.

Reusable biopsy forceps



H. + H. Maslanka
Chirurgische Instrumente GmbH
Stockacherstraße 172
78532 Tuttlingen / Germany

Phone: +49 7461 9607 - 0
Fax: +49 7461 - 47 32
info@maslanka.de
www.maslanka.de

04/2020 | EN

CE 0483