

More products from Maslanka



Products for gastroenterology, cardiology and urology as well as special solutions for surgery are part of our product range.

You will find a detailed overview of our products in our product catalogue. Please do not hesitate to contact us if you have any further questions.

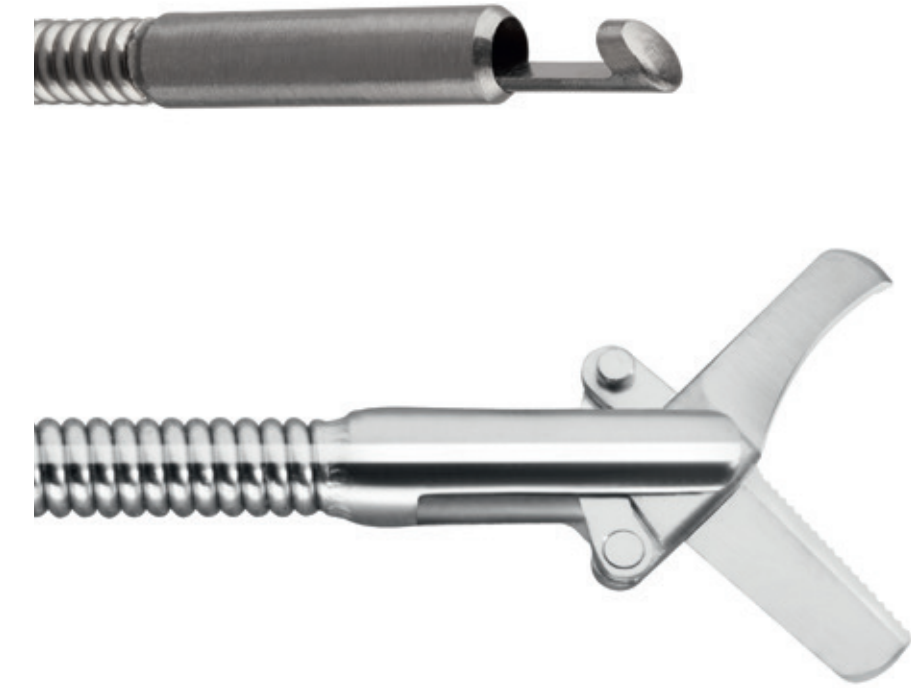
Gastroenterology
Cardiology
Urology
Neurology
Customer-specific developments

Reusable
Gastroenterology punches and scissors



H. + H. Maslanka
Chirurgische Instrumente GmbH
Stockacherstraße 172
78532 Tuttlingen / Germany

Tel.: +49 (0) 7461 9607 - 0
Fax: +49 (0) 7461 - 47 32
info@maslanka.de
www.maslanka.de



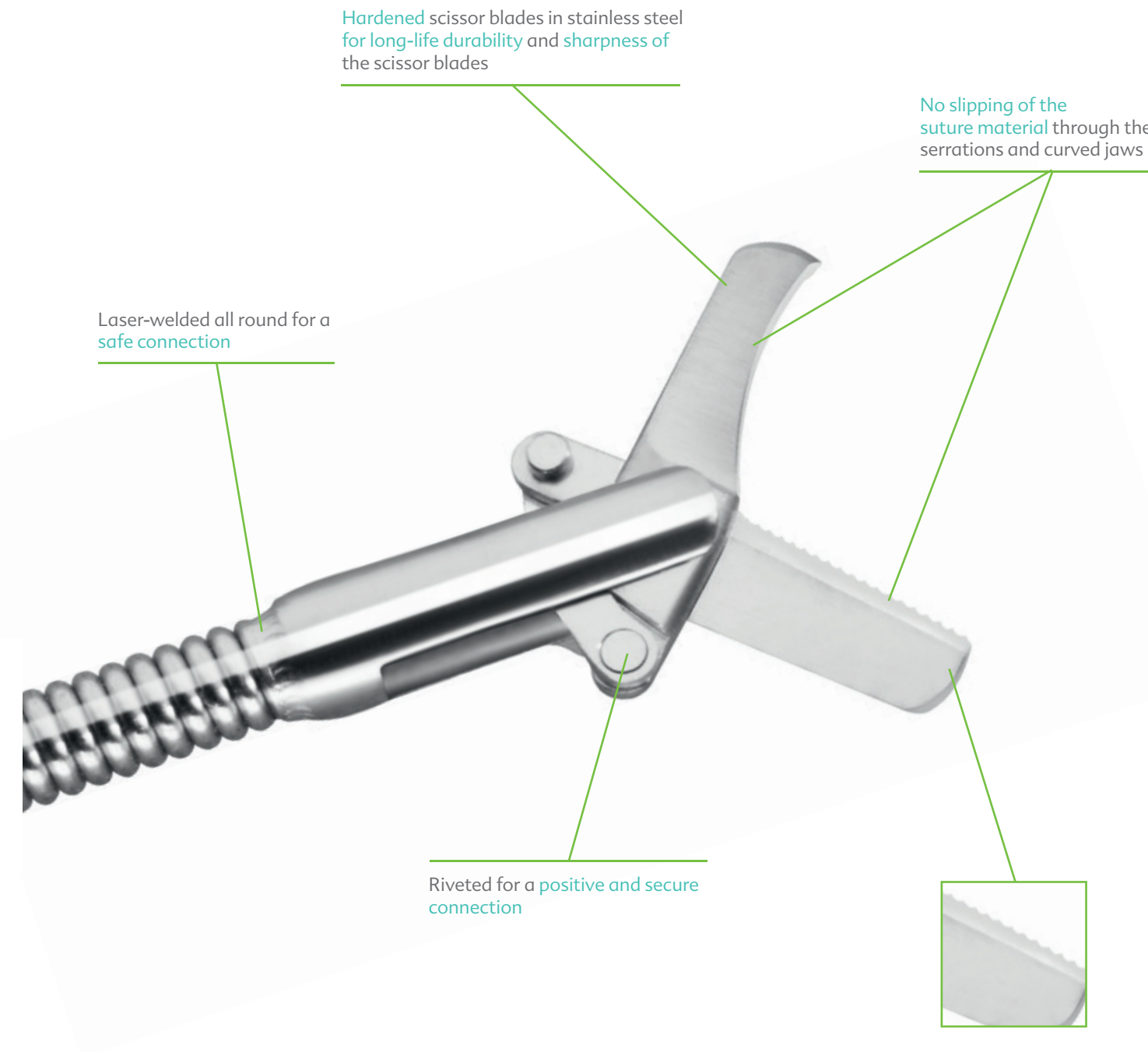
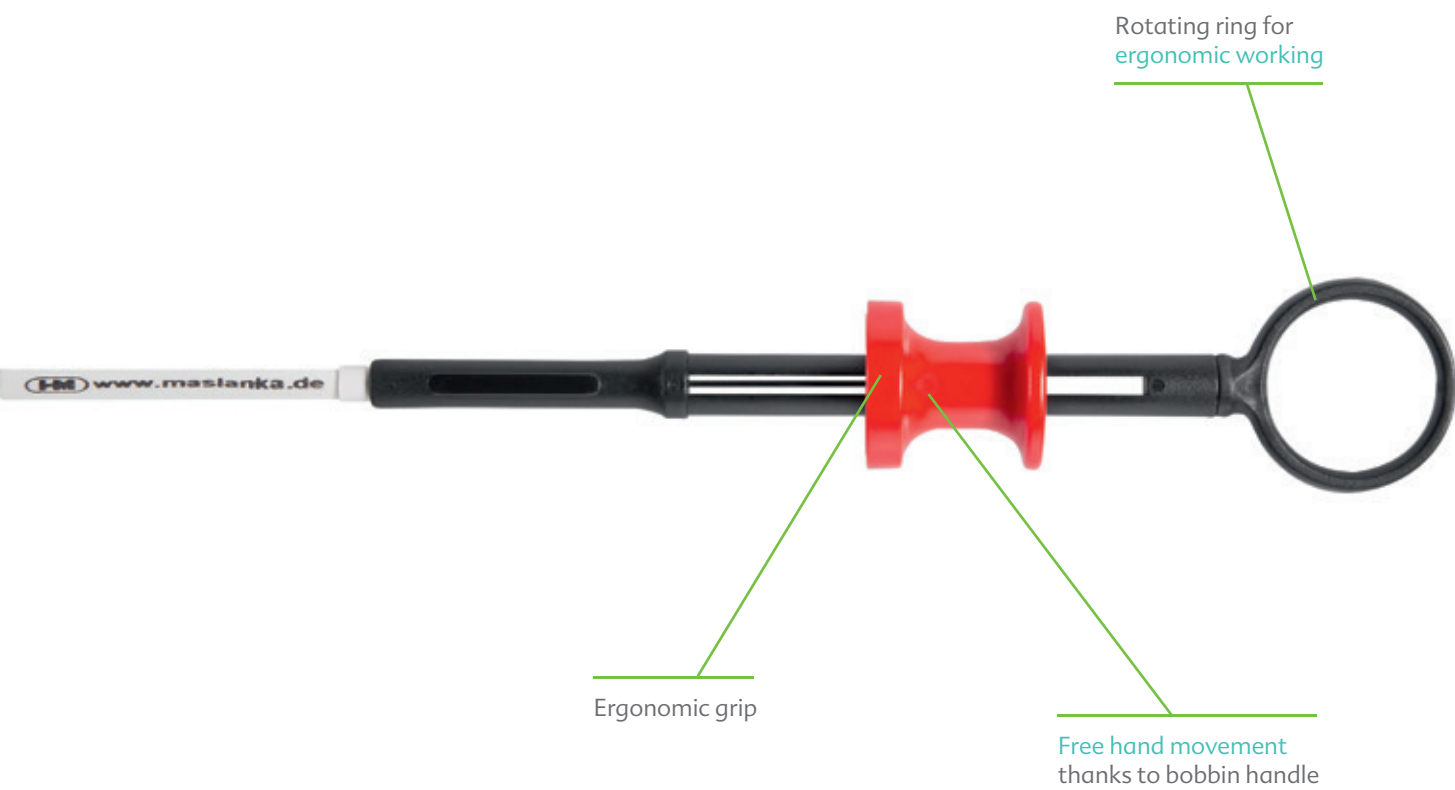
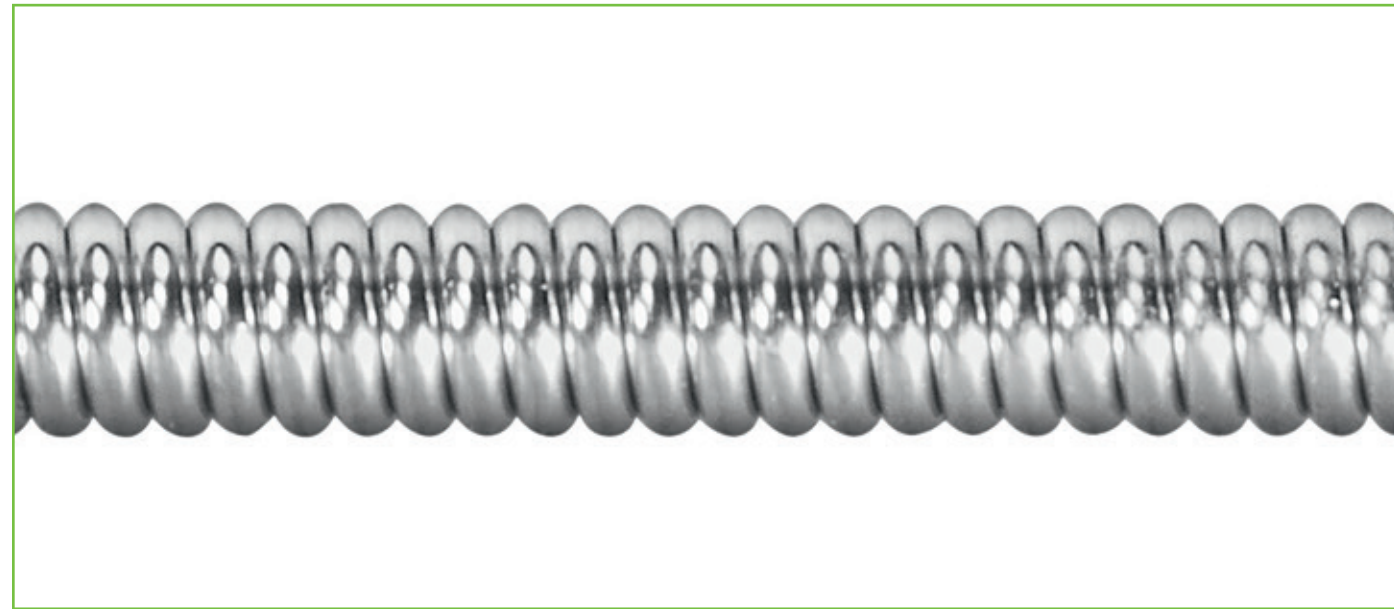
Secure seperation


Reusable gastroenterology punches and scissors

CE0483 02/2021/DE

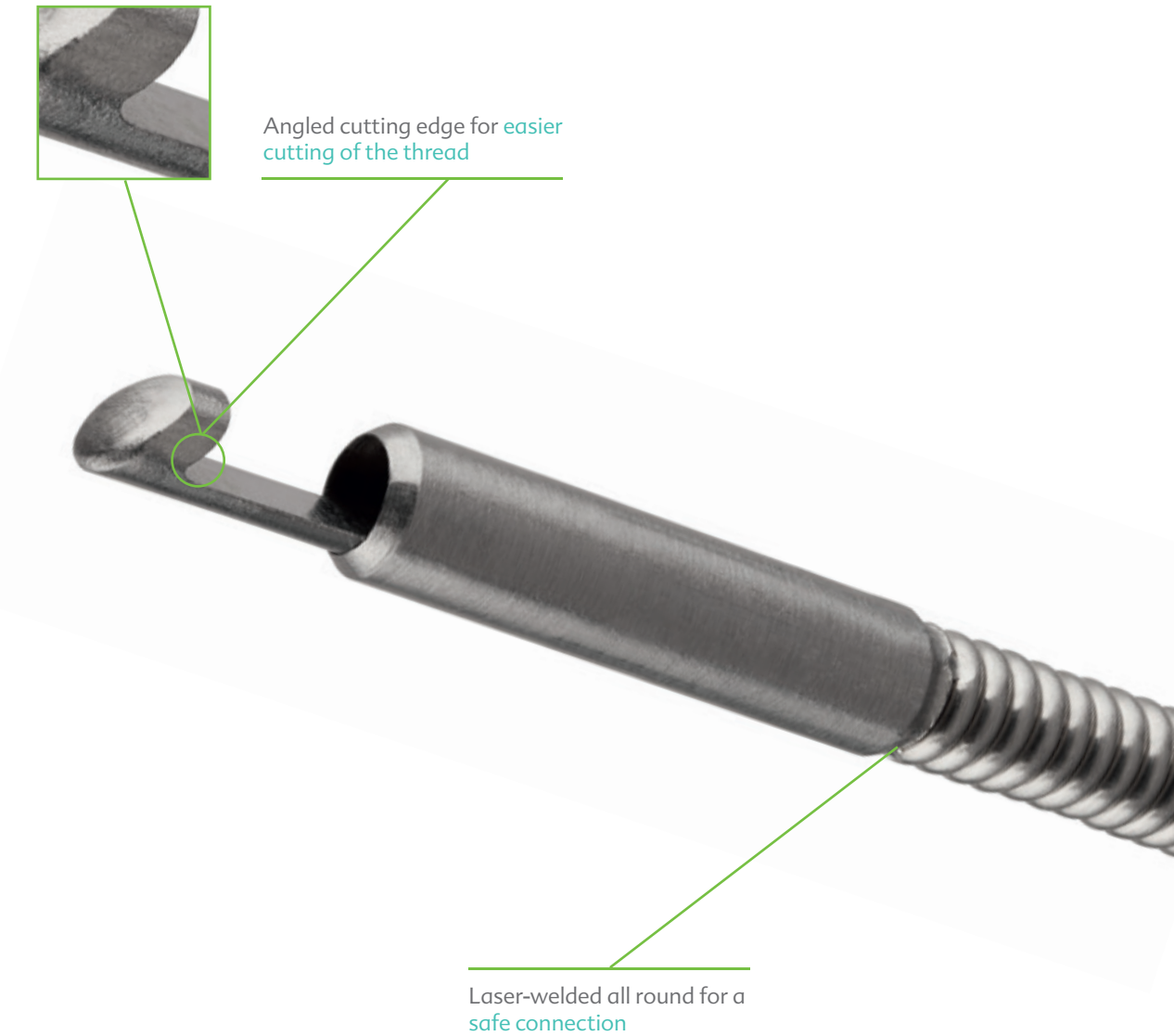
Benefit from the advantages of our products

Unpolished spring



 Reusable Gastroenterology scissor single-sided serrated

Article number	Working channel from diam.	Design	Opening widths	Working length	PU
K0922-160	2,8 mm	Scissor blades serrated on one side	- 7,5 mm	160 cm	1 unit
K0922-180	2,8 mm		- 7,5 mm	180 cm	1 unit
K0922-230	2,8 mm		- 7,5 mm	230 cm	1 unit



 Reusable Gastroenterology thread punch

Article number	Working channel from diam.	Opening width	Working length	PU
K1922-160	2,8 mm	- 2,0 mm	160 cm	1 unit
K1922-180	2,8 mm	- 2,0 mm	180 cm	1 unit
K1922-230	2,8 mm	- 2,0 mm	230 cm	1 unit